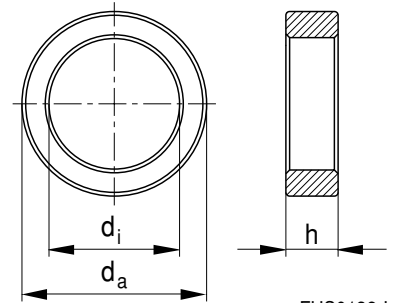
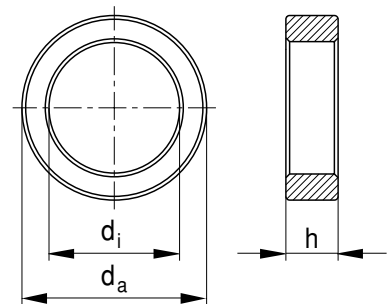


**Toroids (ring cores)**
**Overview**
**B64290**


FUS0138-I

**Overview of available sizes**

Type Toroid size ( $d_a \times d_i \times h$ ) mm	inch	Type code (ordering code, block 2)	Page
R 2.50 × 1.50 × 1.00	R 0.098 × 0.059 × 0.039	P0035	1
R 2.54 × 1.27 × 1.27	R 0.100 × 0.050 × 0.050	P0734	1
R 3.05 × 1.27 × 1.27	R 0.120 × 0.050 × 0.050	P0683	2
R 3.05 × 1.27 × 2.54	R 0.120 × 0.050 × 0.100	P0739	2
R 3.05 × 1.78 × 2.03	R 0.120 × 0.070 × 0.080	P0733	3
R 3.43 × 1.78 × 1.78	R 0.135 × 0.070 × 0.070	P0731	3
R 3.43 × 1.78 × 2.03	R 0.135 × 0.070 × 0.080	P0745	4
R 3.43 × 1.78 × 2.11	R 0.135 × 0.070 × 0.083	P0709	4
R 3.94 × 1.78 × 1.78	R 0.155 × 0.070 × 0.070	P0732	5
R 3.94 × 2.24 × 1.30	R 0.155 × 0.088 × 0.051	P0061	5
R 4.00 × 2.40 × 1.60	R 0.157 × 0.094 × 0.063	P0036	6
R 5.84 × 3.05 × 3.00	R 0.230 × 0.120 × 0.118	P0687	6
R 6.30 × 3.80 × 2.50	R 0.248 × 0.150 × 0.098	P0037	7
R 8.00 × 4.00 × 4.00	R 0.315 × 0.158 × 0.158	P0751	7
R 9.53 × 4.75 × 3.17	R 0.375 × 0.187 × 0.125	L0062	8
R 10.0 × 6.00 × 4.00	R 0.394 × 0.236 × 0.157	L0038	8
R 12.5 × 7.50 × 5.00	R 0.492 × 0.295 × 0.197	L0044	9
R 12.7 × 7.90 × 6.35	R 0.500 × 0.311 × 0.250	L0742	9
R 13.3 × 8.30 × 5.00	R 0.524 × 0.327 × 0.197	L0644	10
R 14.0 × 9.00 × 5.00	R 0.551 × 0.354 × 0.197	L0658	10
R 15.0 × 10.4 × 5.30	R 0.591 × 0.409 × 0.209	L0623	11
R 15.8 × 8.90 × 4.70	R 0.622 × 0.350 × 0.185	L0743	11
R 16.0 × 9.60 × 6.30	R 0.630 × 0.378 × 0.248	L0045	12
R 17.0 × 10.7 × 6.80	R 0.669 × 0.421 × 0.268	L0652	12
R 18.4 × 5.90 × 5.90	R 0.724 × 0.232 × 0.232	L0697	13
R 20.0 × 10.0 × 7.00	R 0.787 × 0.394 × 0.276	L0632	13

**Toroids (ring cores)**
**Overview**
**B64290**


FUS0138-I

**Overview of available sizes (continued)**

Type	Type code	Page
Toroid size ( $d_a \times d_i \times h$ )	(ordering code, block 2)	
mm		
inch		
R 22.1 × 13.7 × 6.35	R 0.870 × 0.539 × 0.250	L0638 14
R 22.1 × 13.7 × 7.90	R 0.870 × 0.539 × 0.311	L0719 14
R 22.1 × 13.7 × 12.5	R 0.870 × 0.539 × 0.492	L0651 15
R 22.6 × 14.7 × 9.20	R 0.890 × 0.579 × 0.362	L0626 15
R 25.3 × 14.8 × 10.0	R 0.996 × 0.583 × 0.394	L0618 16
R 25.3 × 14.8 × 15.0	R 0.996 × 0.583 × 0.590	L0615 16
R 25.3 × 14.8 × 20.0	R 0.996 × 0.583 × 0.787	L0616 17
R 29.5 × 19.0 × 14.9	R 1.142 × 0.748 × 0.587	L0647 17
R 30.5 × 20.0 × 12.5	R 1.201 × 0.787 × 0.492	L0657 18
R 34.0 × 20.5 × 10.0	R 1.339 × 0.807 × 0.394	L0058 18
R 34.0 × 20.5 × 12.5	R 1.339 × 0.807 × 0.492	L0048 19
R 36.0 × 23.0 × 15.0	R 1.417 × 0.906 × 0.591	L0674 19
R 38.1 × 19.05 × 12.7	R 1.500 × 0.750 × 0.500	L0668 20
R 40.0 × 24.0 × 16.0	R 1.575 × 0.945 × 0.630	L0659 20
R 41.8 × 26.2 × 12.5	R 1.646 × 1.031 × 0.492	L0022 21
R 50.0 × 30.0 × 20.0	R 1.969 × 1.181 × 0.787	L0082 21
R 58.3 × 32.0 × 18.0	R 2.295 × 1.260 × 0.709	L0043 22
R 58.3 × 40.8 × 17.6	R 2.295 × 1.606 × 0.693	L0040 22
R 58.3 × 40.8 × 20.2	R 2.295 × 1.606 × 0.795	L0042 23
R 63.0 × 38.0 × 25.0	R 2.480 × 1.496 × 0.984	L0699 23
R 68.0 × 48.0 × 13.0	R 2.677 × 1.890 × 0.512	L0696 24
R 87.0 × 54.3 × 13.5	R 3.425 × 2.138 × 0.531	L0730 24
R 102 × 65.8 × 15.0	R 4.016 × 2.591 × 0.591	L0084 25
R 140 × 103 × 25.0	R 5.512 × 4.055 × 0.984	A0705 25
R 202 × 153 × 25.0	R 7.953 × 6.024 × 0.984	A0711 26