



SIOV metal oxide varistors

Calculation examples

Date: August 2011

Calculation examples

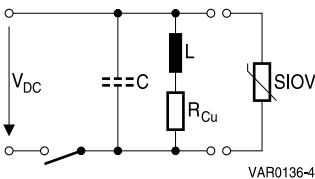
1 Calculation examples

1.1 Switching off inductive loads

The discharge of an inductor produces high voltages that endanger both the contact breaker (switching transistor and the like) and the inductor itself. According to equation 17 the energy stored in the coil is $W = \frac{1}{2} L i^2$. So, when the inductor is switched off, this energy charges a capacitor in parallel with the inductor (this capacitor can also be the intrinsic capacitance of the coil). Not allowing for the losses, and for $\frac{1}{2} C v^2 = \frac{1}{2} L i^2$, the values of figure 1 produce:

$$v^* = i^* \sqrt{\frac{L}{C}} = 1 \cdot \sqrt{\frac{0.1}{250 \cdot 10^{-12}}} = 20\,000 \text{ V}$$

To suppress this transient, a varistor is to be connected in parallel with the inductor as a flywheel circuit.



V_{DC}	= 24 V
L	= 0.1 H
R_{Cu}	= 24 Ω
I	= 1 A
C	= 250 pF
Required switching rate	= 10^6
Period	= 10 s
Required protection level	< 65 V

Figure 1 Limiting switching transients with a varistor as a flywheel circuit

Operating voltage

The DC operating voltage is given as 24 V (cf. figure 1). If the possible increase in operating voltage is no more than 2 V, types with a maximum permissible DC operating voltage of 26 V should be chosen from the product tables to achieve at as low a protection level as possible. Type S ... K20 and S ... K20E2 are available for this application.

Surge current

When it is cut off, the current through an inductor cannot change abruptly, so it flows across the varistor initially with the value of the operating current (here 1 A), then decaying towards zero following an exponential function.

The simplest ways of determining the current duration are simulation or measurement ($\tau = t^*$).

Calculation examples

The time constant can also be calculated to an approximation with equation 13.

Here the varistor resistance of voltage class K20 is calculated for 1 A. As the protection levels of the various type series do not differ much, the S10K20 has been chosen arbitrarily to determine the resistance (the voltage is taken from the appropriate V/I characteristics).

$$R_{\text{SIOV}} = \frac{55 \text{ V}}{1 \text{ A}} = 55 \Omega$$

So τ according to equation 13 is

$$\tau = t_r^* = \frac{0.1 \text{ H}}{24 \Omega + 55 \Omega} \approx 1.3 \text{ ms}$$

For S10K20 with $t_r^* = 1.3 \text{ ms}$ and 10^6 load repetitions, you obtain

$$i_{\text{max}} = 3 \text{ A} > i^* = 1 \text{ A}$$

from the derating curves.

Taking this result, you should check whether other types with lower current ratings satisfy the selection criterion:

$$\text{S05K20: } i_{\text{max}} = 0.5 \text{ A} < i^* = 1 \text{ A}$$

$$\text{S07K20: } i_{\text{max}} = 1.4 \text{ A} > i^* = 1 \text{ A}$$

For example, using a varistor of AdvanceD series S...K20E2 would not achieve any advantages at 10^6 load repetitions because in this region the derating fields of this series are not different from those of the StandarD series.

So the selection criterion of equation 9 is met by SIOV-S07K20 and all types with higher current ratings.

Energy absorption

The maximum energy absorption capacity of SIOV-S07K20 for $t_r^* = 1.3 \text{ ms}$, $i_{\text{max}} = 1.4 \text{ A}$ and 10^6 repetitions according to equation 18 is

$$W_{\text{max}} = v_{\text{max}} \cdot i_{\text{max}} \cdot t_{r \text{ max}} = 60 \cdot 1.4 \cdot 0.0013 = 0.11 \text{ J} \quad (\text{with } t_{r \text{ max}} = t_r^*, \text{ according to chapter "Selection procedure", section 1.5.3})$$

According to equation 17 the varistor must in the worst case absorb energy of

$$W^* = \frac{1}{2} L i^{*2} = \frac{1}{2} \cdot 0.1 \text{ H} \cdot 1 \text{ A}^2 = 0.05 \text{ J} < W_{\text{max}} = 0.11 \text{ J}$$

per switching cycle. Thus SIOV-S07K20 also satisfy the selection requirement of equation 10.

Average power dissipation

According to equation 19, applied energy of 0.05 J every 10 s produces average power dissipation of

$$P^* = \frac{W^*}{T^*} = \frac{0.05}{10} = 0.005 \text{ W}$$

The product table shows maximum dissipation capability of 0.02 W for SIOV-S07K20. So on this point too, the choice is correct (equation 11).

Calculation examples

For the sake of completeness, the minimum permissible time between two applications of energy is calculated (equation 20):

$$T_{\min} = \frac{W^*}{P_{\max}} = \frac{0.05 \text{ J}}{0.02 \text{ W}} = 2.5 \text{ s}$$

Maximum protection level

The V/I curve for S07K20 shows a protection level of 60 V at 1 A for the worst-case position in the tolerance field (Pspice supplied by EPCOS: TOL = +10).

This means that type S07K20 meets the requirement for a protection level < 65 V.

1.2 Ensuring EMC of equipment connected to 230 V line voltages

The example describes the selection procedure for a varistor that is to ensure the EMC of a device in accordance with IEC 61000-4-5 for 230 V operating voltage and a test voltage of 4 kV.

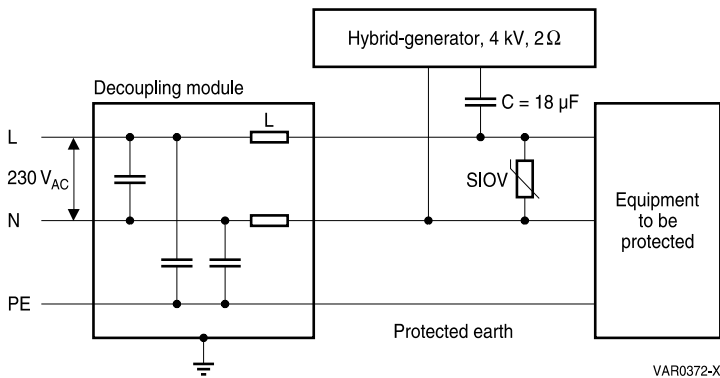


Figure 2 EMC test in accordance with IEC 61000-4-5 with $R_i = 2 \Omega$, charge voltage 4 kV on a $230 V_{AC}$ line voltage

Line voltage:	$230 V_{AC} \pm 10\%$
Hybrid test generator:	4 kV, 2Ω
Number of repetitions:	10 (5 in each polarity)
Voltage endurance of equipment to be protected:	1 kV

Calculation examples

Look up this type in the derating diagram (drawing S14K50 ... 320) to check whether or not an S14K275 can be subjected to the above surge current load. As a result of the investigation, a current of 1590 A (8/20 μ s) is only permissible for two consecutive load cycles. For the required number of ten repetitions, the current i_{\max} would be 1000 A only.

Since $i^* > i_{\max}$, S14K275 is not a suitable choice for the given application conditions.

The type with the next highest surge current capability would be S14K275E2. The derating field yields i_{\max} (10 \times) = 1500 A. For this reason this type is not suitable either.

As a result the selection check procedure must be repeated for the type series having the next highest power dissipation capability, SIOV-S20 series. In this case the type in question is the varistor type S20K275:

Here equation 12 results in

$$i^* = \frac{4000 \text{ V} - \left(950 \cdot \frac{0.9}{1.1}\right) \text{ V}}{2 \Omega} = \frac{4000 \text{ V} - 780 \text{ V}}{2 \Omega} = \frac{3220 \text{ V}}{2 \Omega} = 1610 \text{ A}$$

For ten load repetitions (at $t_r^* = t_r = 20 \mu\text{s}$) the derating field of the S20K275 shows

$$i_{\max} = 2500 \text{ A.}$$

With this value the S20K275 meets the selection criterion of equation 9:

$$i^* \leq i_{\max}.$$

Energy absorption

Since energy absorption, as calculated by equation 6, is directly correlated to surge current, the S20K275 also fulfils the selection criterion of equation 10:

$$W^* \leq W_{\max}.$$

Power dissipation

In order to determine power dissipation, you must calculate the energy absorbed by the S20K275 when conducting the surge current. According to equation 16:

$$W^* = v^* \cdot i^* \cdot t_r^* = 780 \text{ V} \cdot 1610 \text{ A} \cdot 20 \cdot 10^{-6} \text{ s} = 25 \text{ J}$$

As a pulse repetition rate, IEC 61000-4-5 specifies a maximum of one pulse/60 s. Inserting this in equation 19 results in:

$$P^* = \frac{W^*}{T^*} = \frac{25 \text{ J}}{60 \text{ s}} \approx 0.4 \text{ W}$$

From the product table the maximum permissible periodic load, i.e. average maximum power dissipation of an S20K275, is found to be 1 W. With this the selection criterion of equation 11,

$$P^* \leq P_{\max}$$

is also met.

Calculation examples

Protection level

The protection level is found to be 900 V (from the V/I characteristics for a value of 1610 A). In this case the 4 kV “overvoltage” is limited to 23%.

The protection level is lower than the voltage strength of the equipment to be protected, which is equal to 1000 V.

By fulfilling this final criterion, the StandarD SIOV-S20K275 is found to meet all selection criteria and can thus be considered suitable for the application.

Comparison to PSpice

Selection of the varistors for table 3 was carried out using PSpice calculations. The results for S20K275 correlate well with the values calculated here.

Other suitable types

If the physical dimensions of the chosen component SIOV-S20K275 are too large, similar selection calculations show that the EnergetiQ varistor SIOV-Q14K275, which requires less headroom, is also suitable.

For comparison:

For comparison:

SIOV-S20K275 $h_{\max} = 25.5 \text{ mm}$

SIOV-Q14K275 $h_{\max} = 19.5 \text{ mm}$