

EPCOS Product Brief 2012

# Surge Arresters

High-Performance Gas Discharge Tube for Low-Voltage Applications

EPCOS, a Member of TDK-EPC Corporation, has developed the new H25-E70X surge arrester intended for use as an isolated spark gap with current handling capability up to 100 kA. The sparkover voltage of < 70 V is the lowest in its class.

## Applications

- Telecommunications: Main telecom lines are typically protected by lightning shields against overvoltages. Connecting the H25-E70X between shield and ground protects against overvoltages and avoids electrochemical corrosion of the shield. In addition the low sparkover

voltage of the arrester limits overvoltages to uncritical levels for humans.

- Pipelines: A pipeline consists of single segments linked by connectors. Grounding of the single segments with H25 protects the connectors in the event of lightning and again excludes electrochemical corrosion of the segments. Due to the inner fail-safe the H25 can be used in explosive environments.



# Surge Arresters



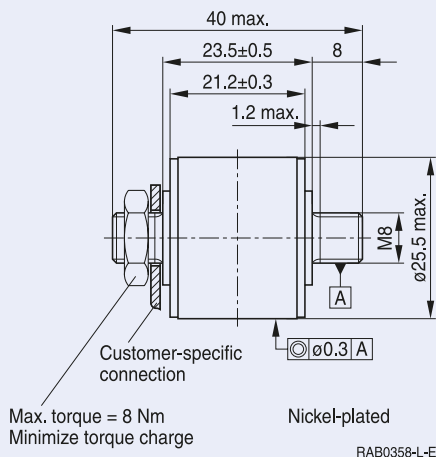
## Features and advantages

- Handling of high currents caused by direct lightning strikes
- Limiting of overvoltages to accessible levels for humans
- Very short response time
- High insulation resistance
- Insensitive to environmental stress by hermetically sealed construction
- Inner fail-safe
- Small dimensions
- RoHS-compatible

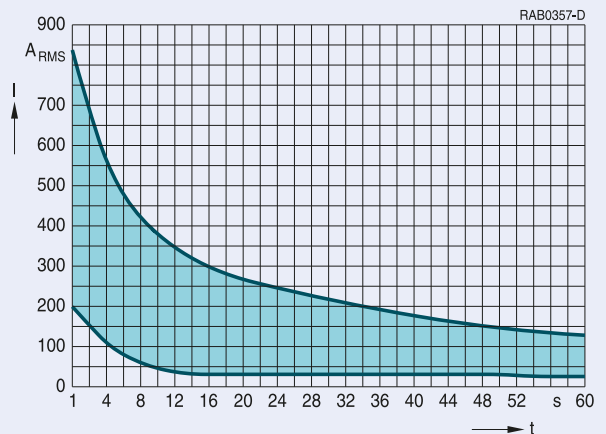
## Technical data

AC sparkover voltage	37 ... 50 V <sub>RMS</sub>
DC sparkover voltage	55 ... 70 V
Alternating discharge current	5 times @ 100 A <sub>RMS</sub> (50 Hz, 1 s) 1 time @ 200 A <sub>RMS</sub> (50 Hz, 0.5 s)
Impulse discharge current	20 times @ 100 kA (8/20 μs) 3 times @ 50 kA (10/350)
Ordering code	B88069X9761B201

## Dimensional drawing in mm



## Fail-safe characteristic



**Important information:** Some parts of this publication contain statements about the suitability of our products for certain areas of application. These statements are based on our knowledge of typical requirements that are often placed on our products. We expressly point out that these statements cannot be regarded as binding statements about the suitability of our products for a particular customer application. It is incumbent on the customer to check and decide whether a product is suitable for use in a particular application. This publication is only a brief product survey which may be changed from time to time. Our products are described in detail in our data sheets. The *Important notes* ([www.epcos.com/ImportantNotes](http://www.epcos.com/ImportantNotes)) and the product-specific *Cautions and warnings* must be observed. All relevant information is available through our sales offices.